






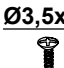
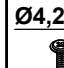
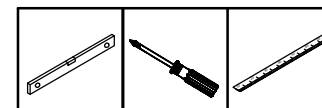
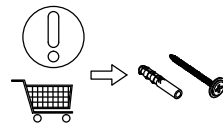
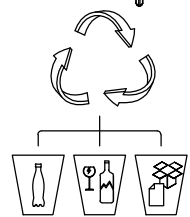
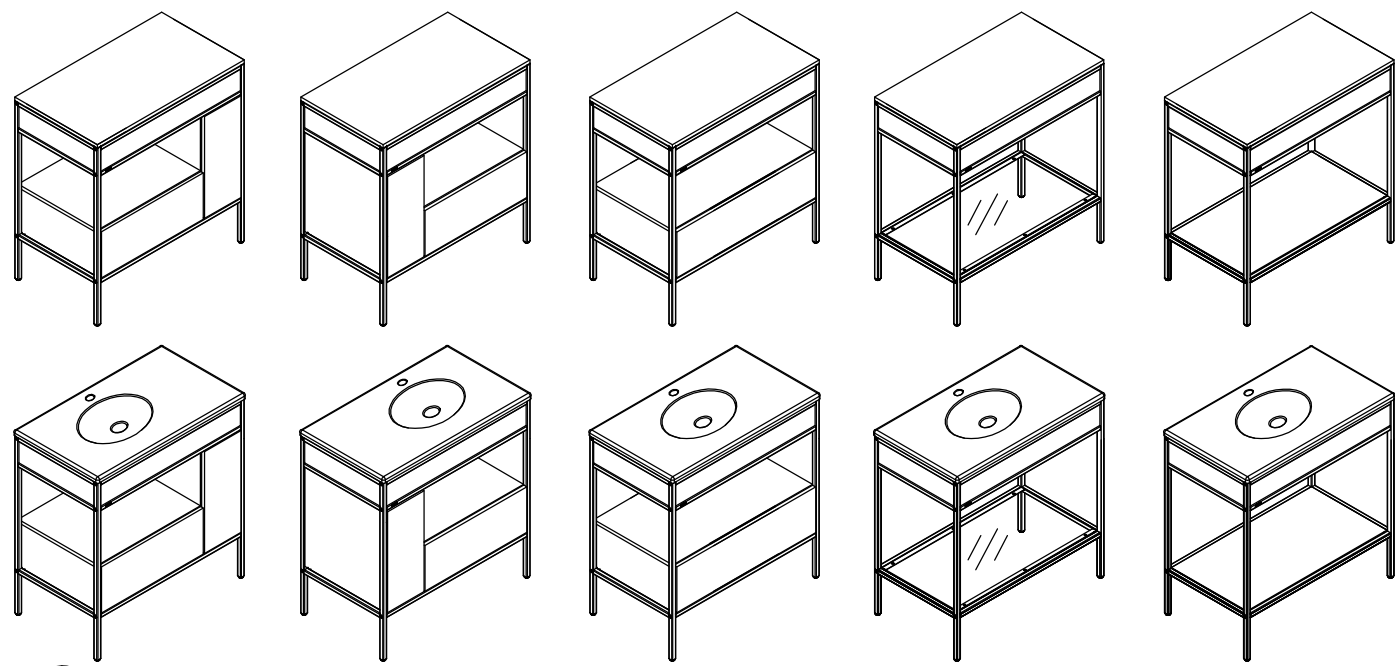
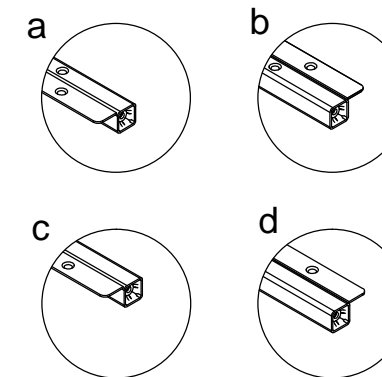
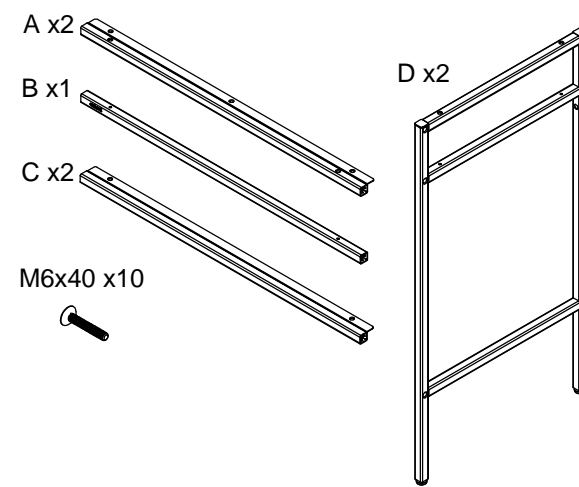
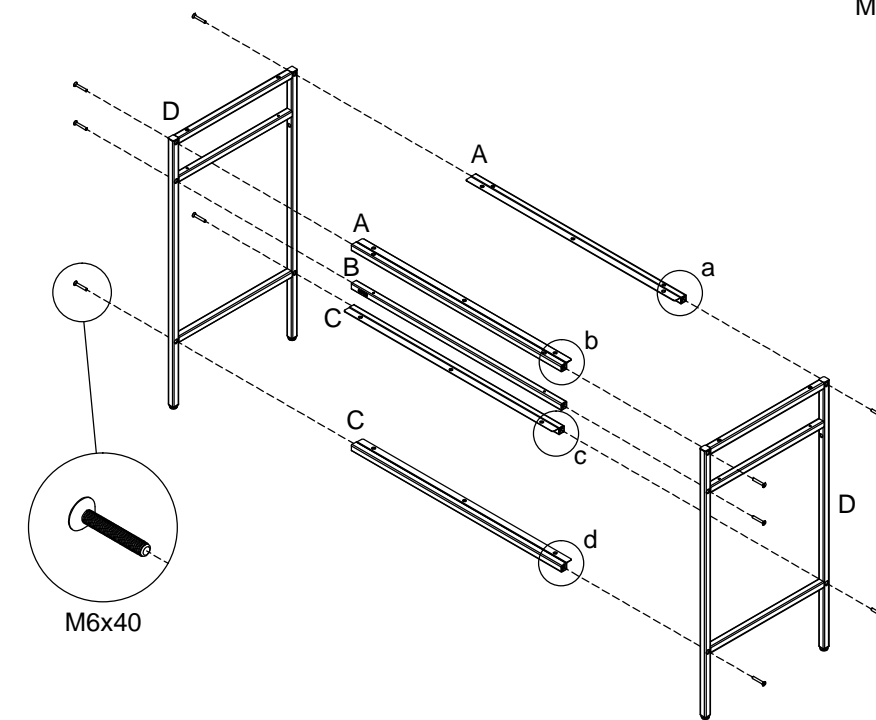
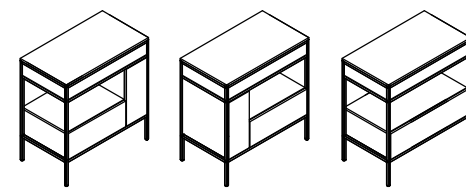


cersanit

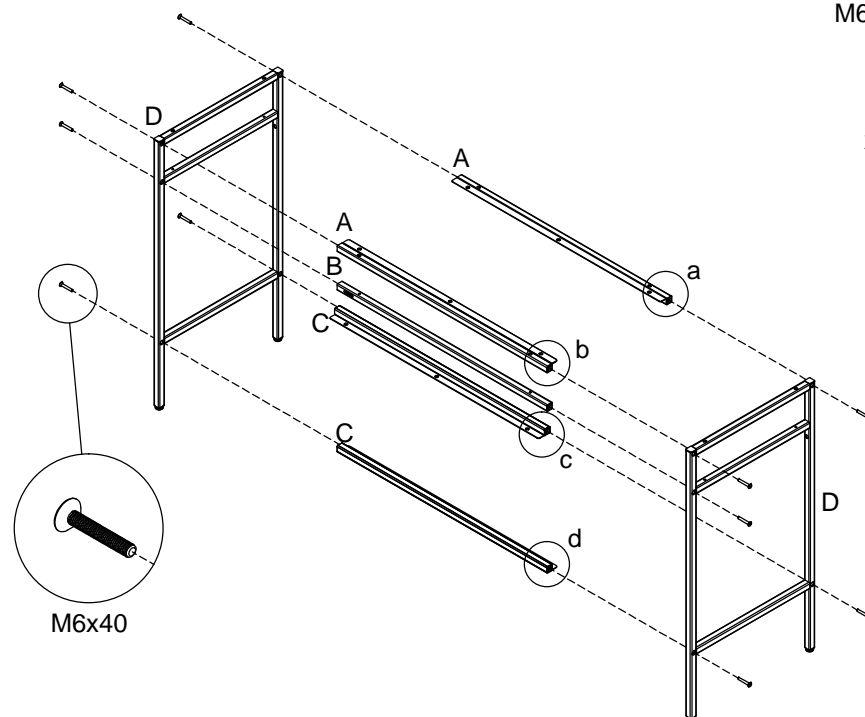
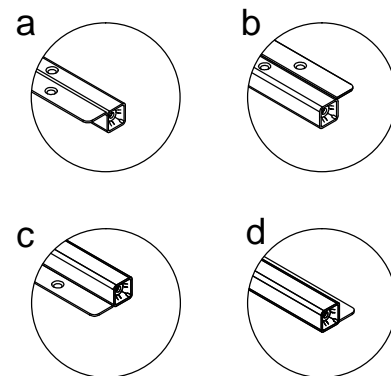
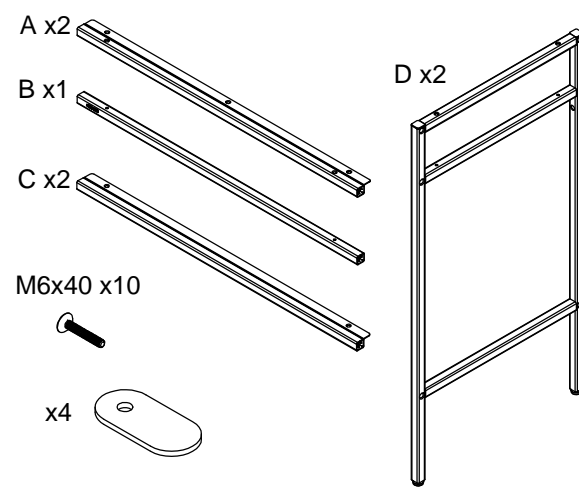
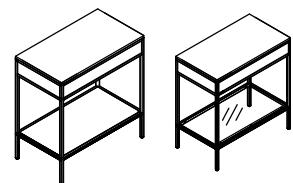
								
x7	x1	x2	x4	x4	x1	x10	x12	x12



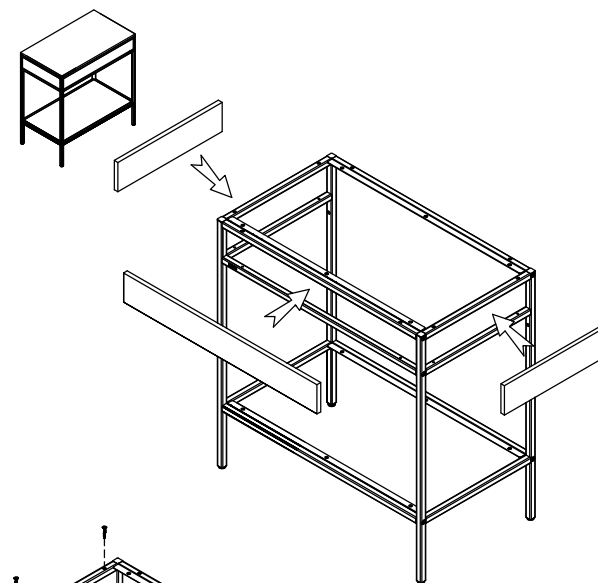
1



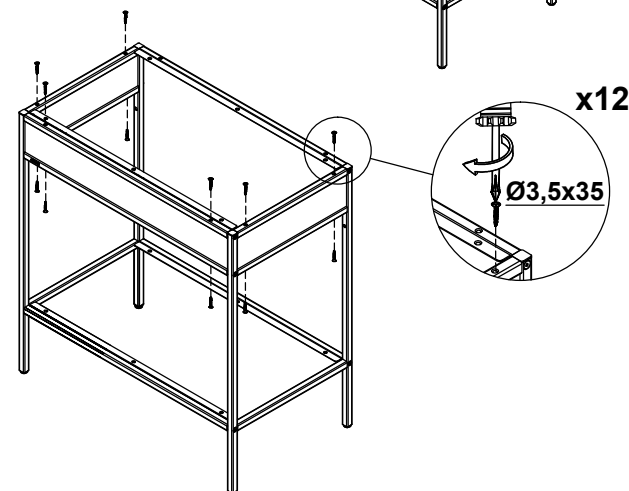
2



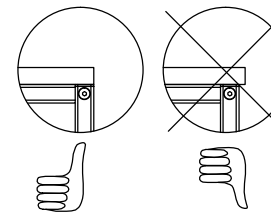
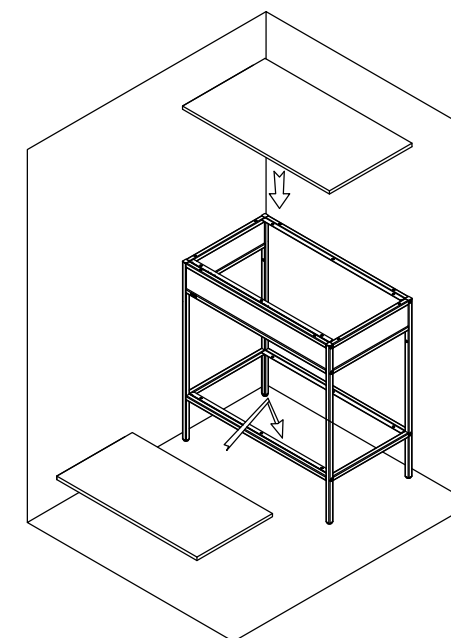
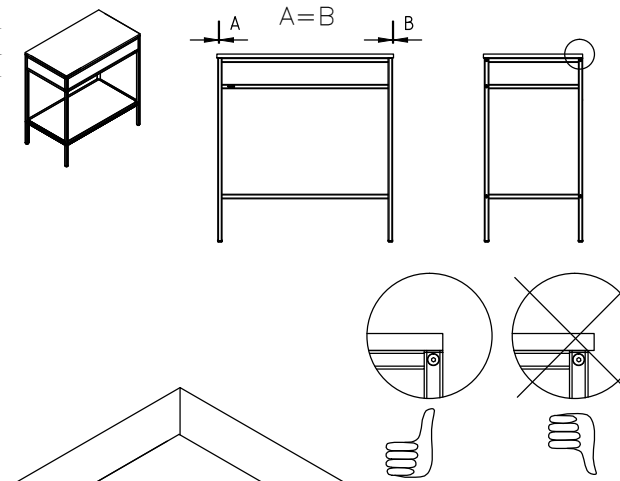
3



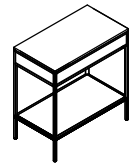
4



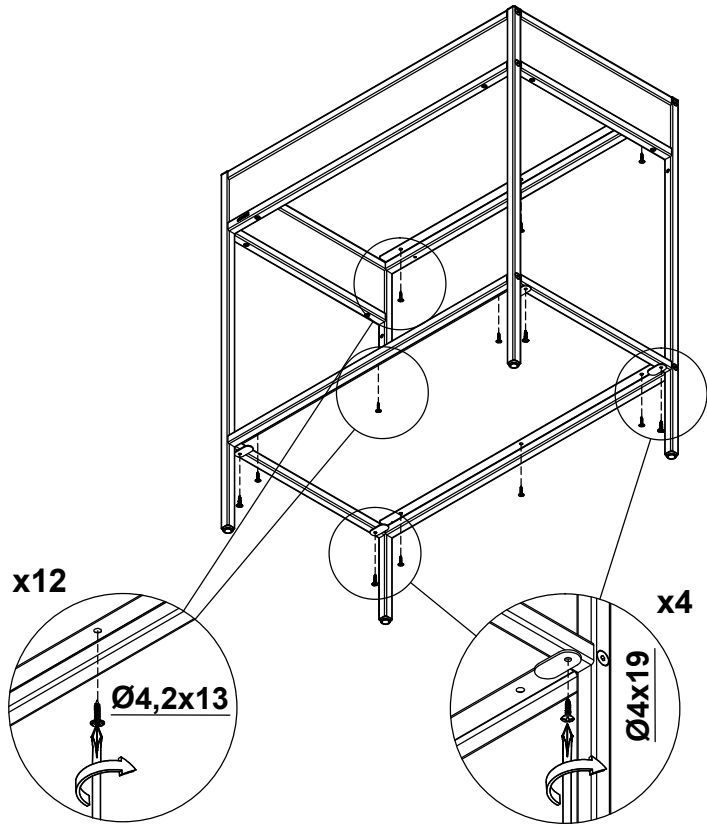
5



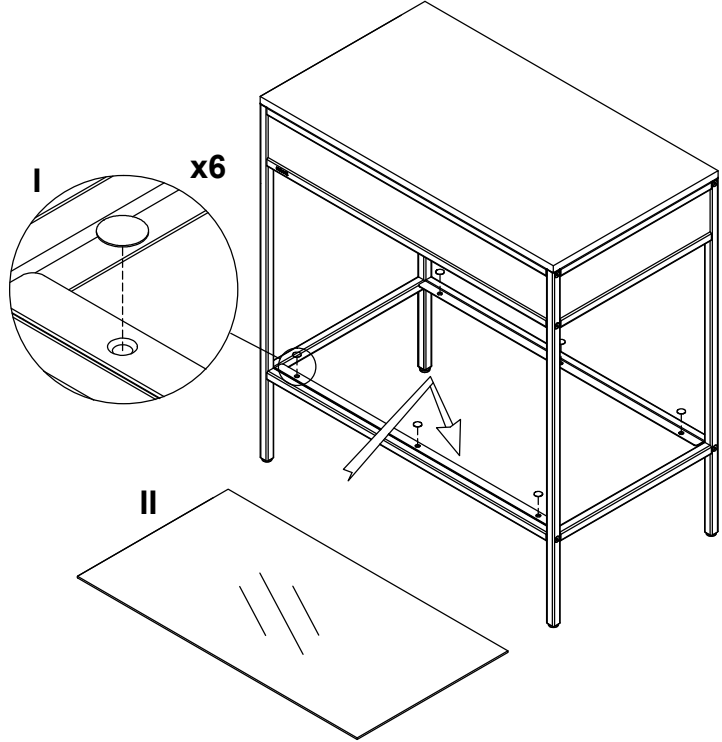
6



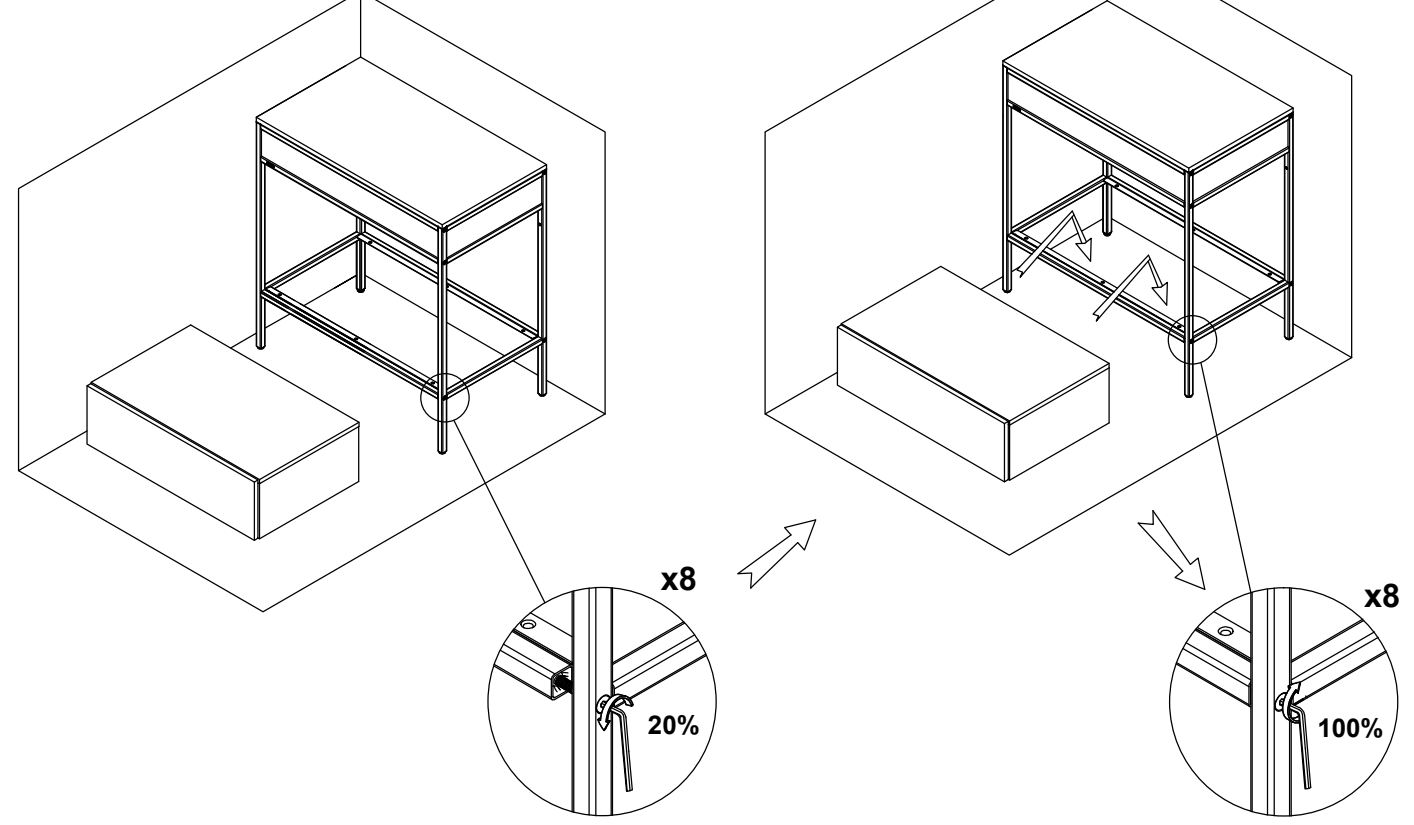
x4 $\varnothing 4 \times 19$
x4



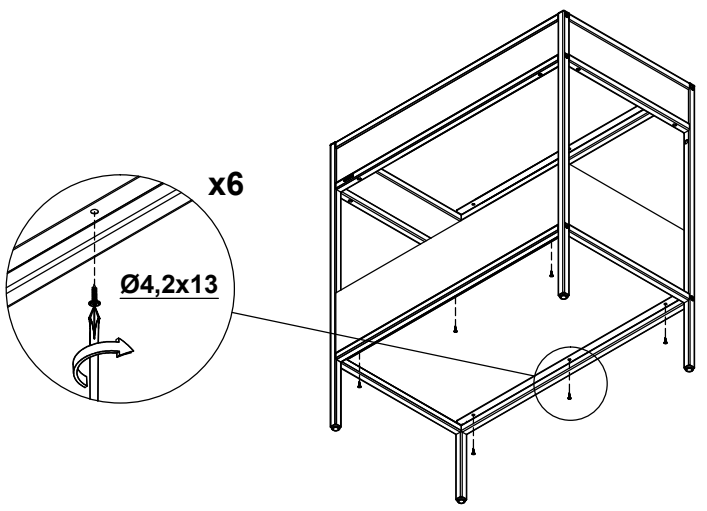
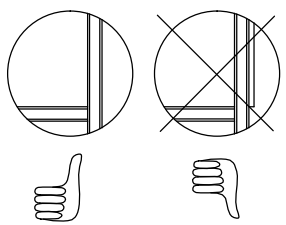
7



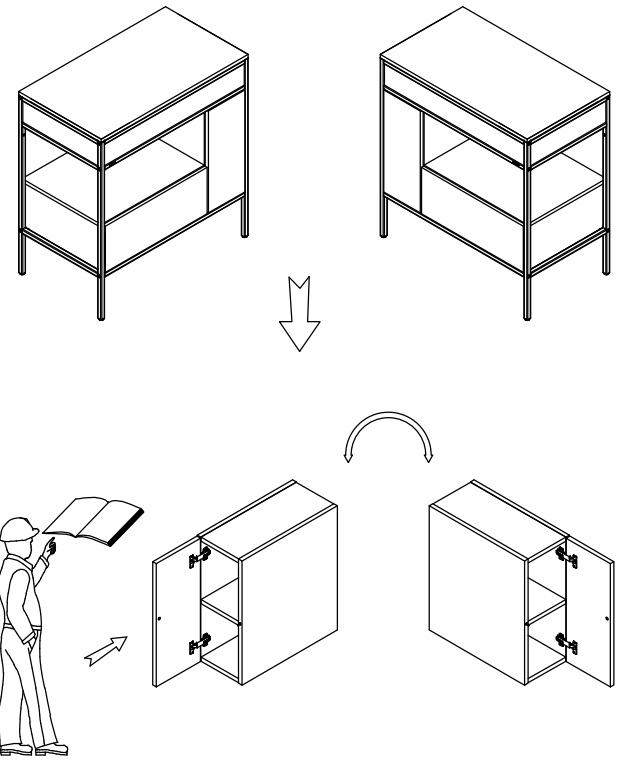
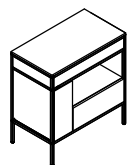
8



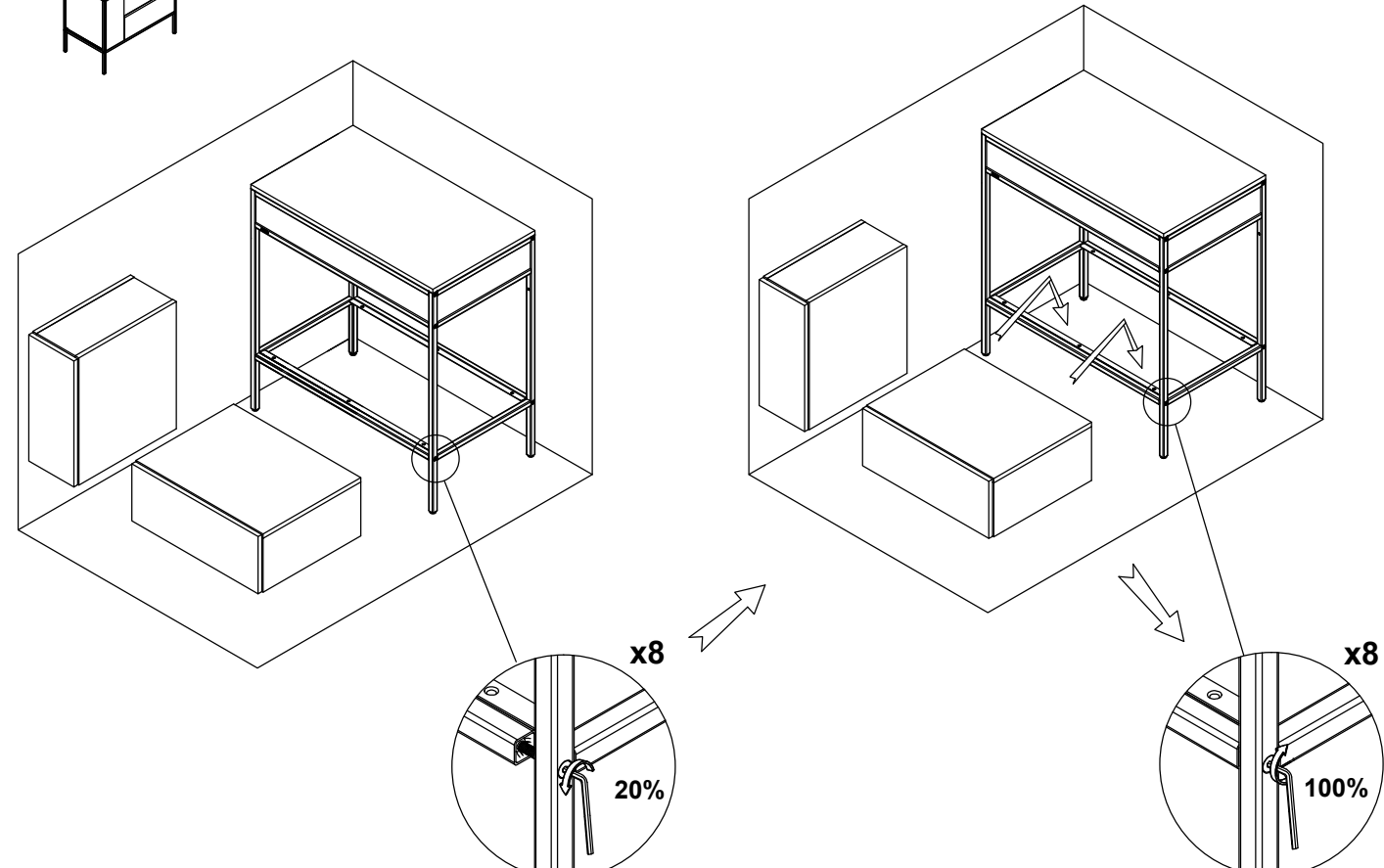
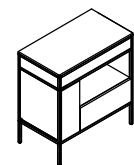
9



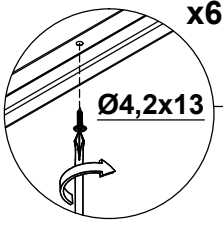
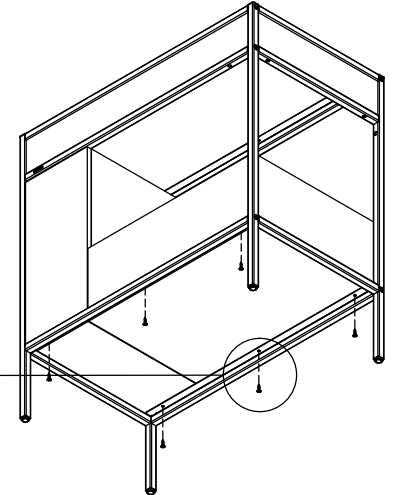
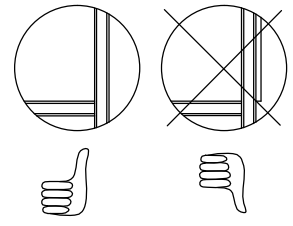
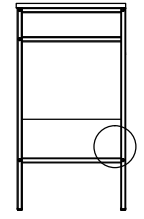
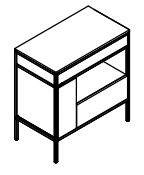
10



11



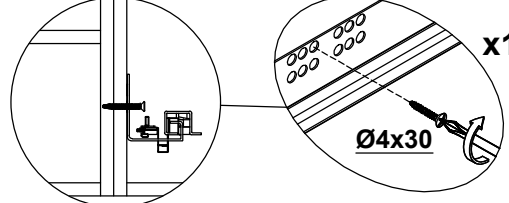
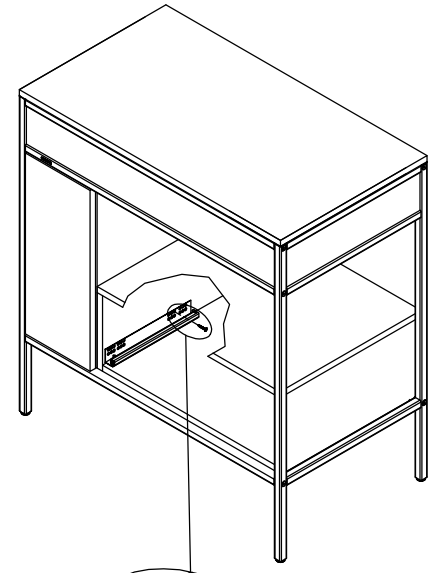
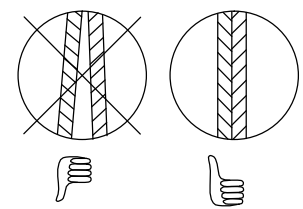
12



x6

Ø4,2x13

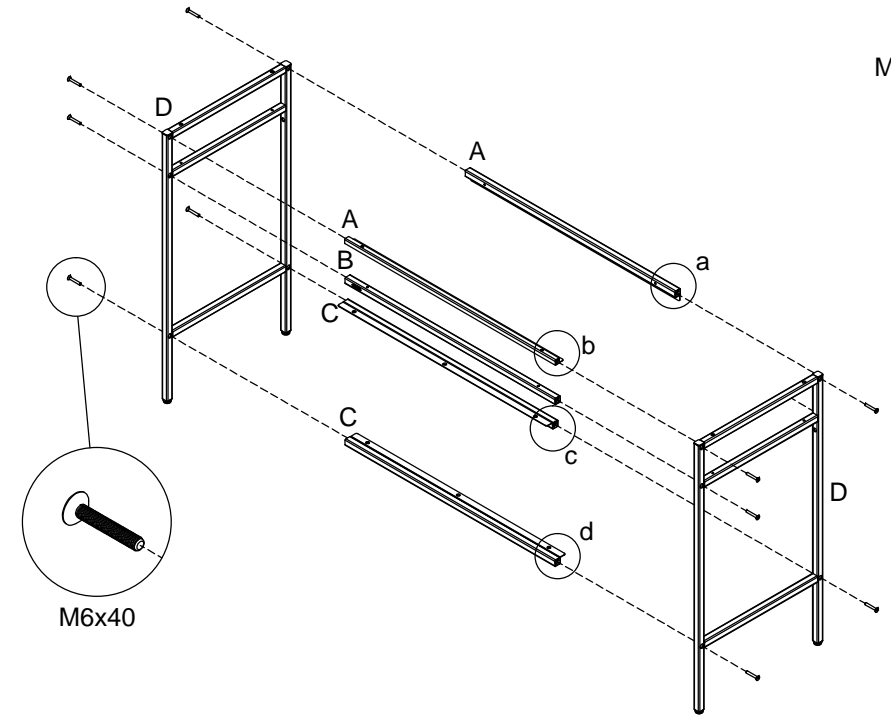
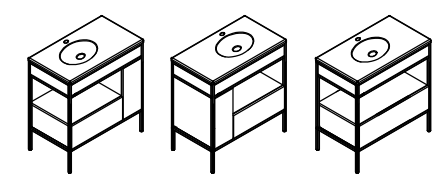
13



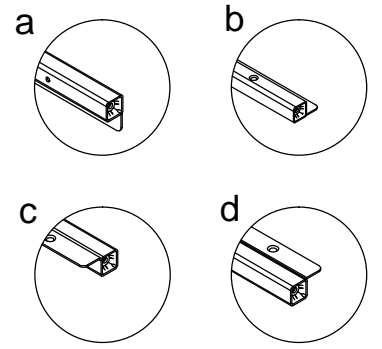
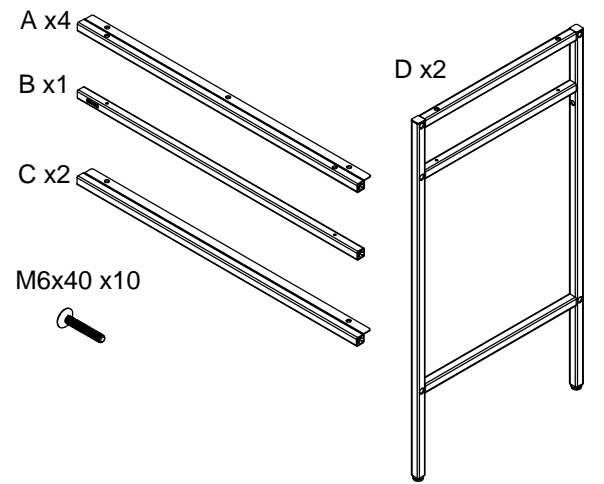
x1

Ø4x30

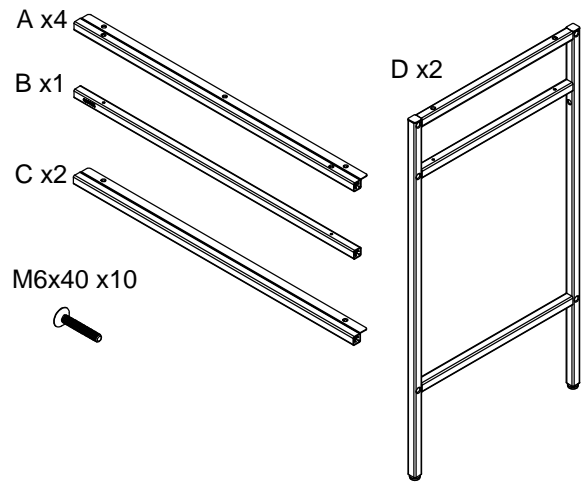
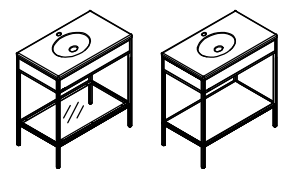
14



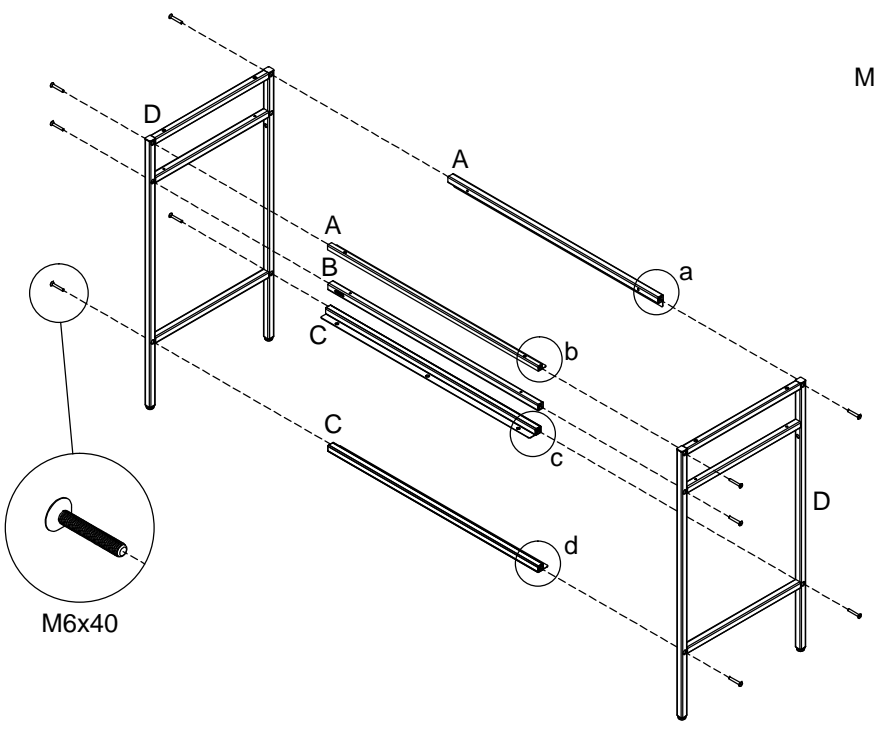
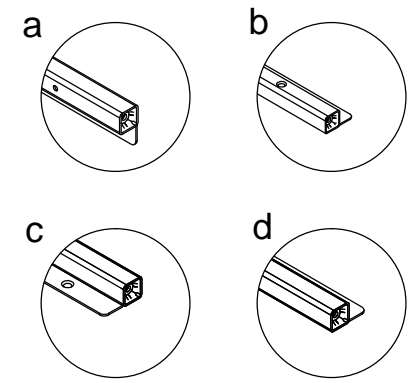
M6x40



15

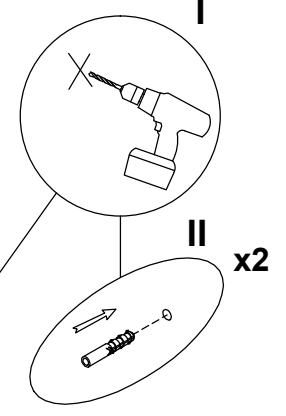
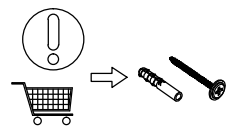
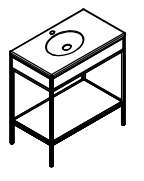


M6x40 x10

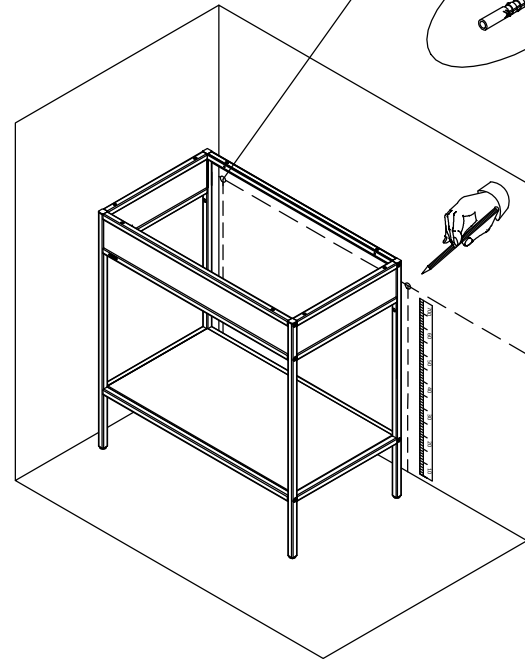


M6x40

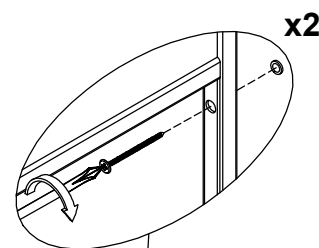
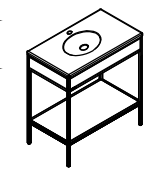
16



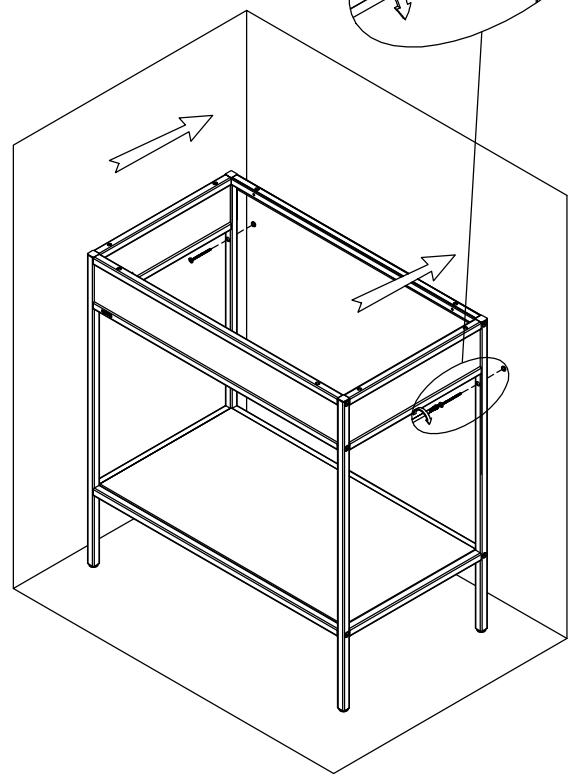
x2



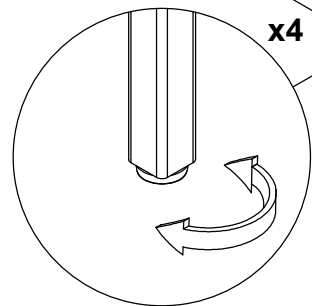
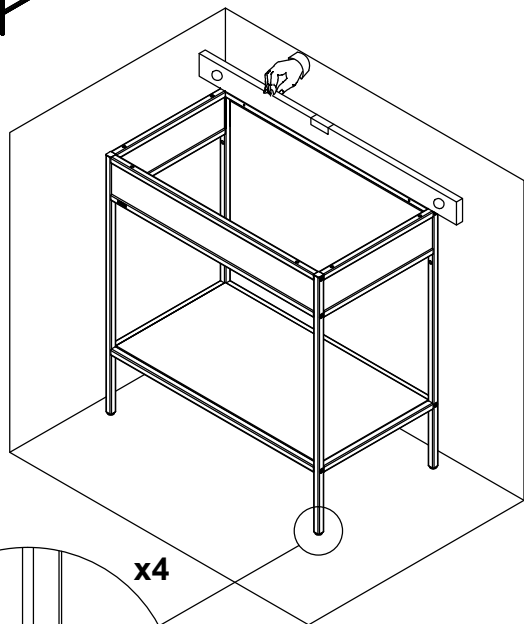
17



x2

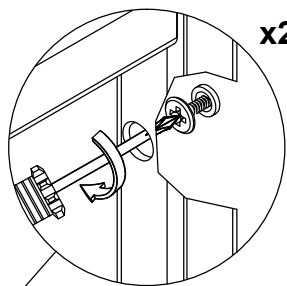


18

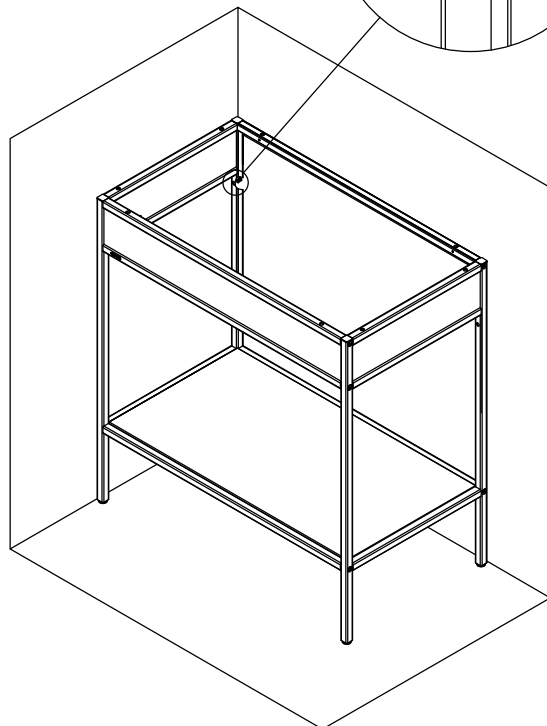


x4

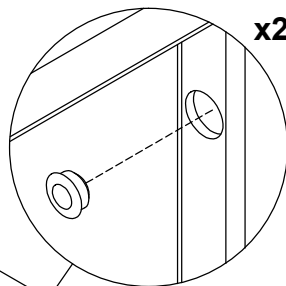
19



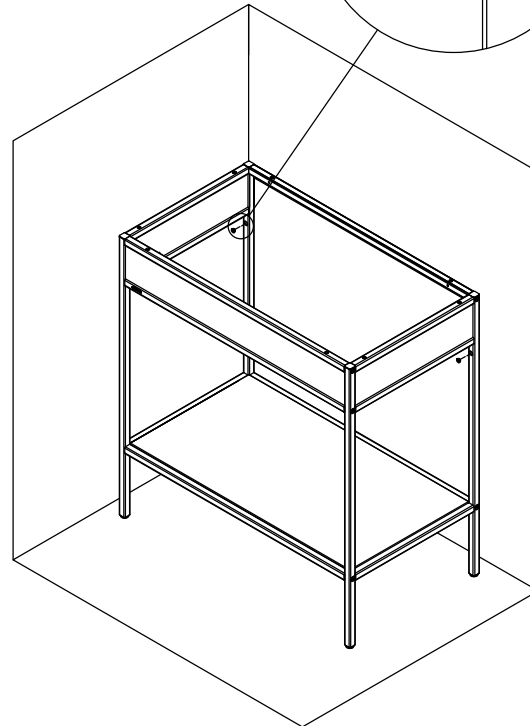
x2



20



x2



21

